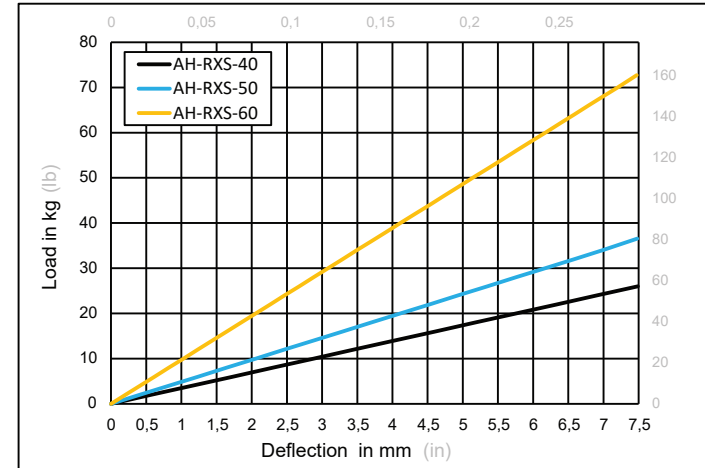
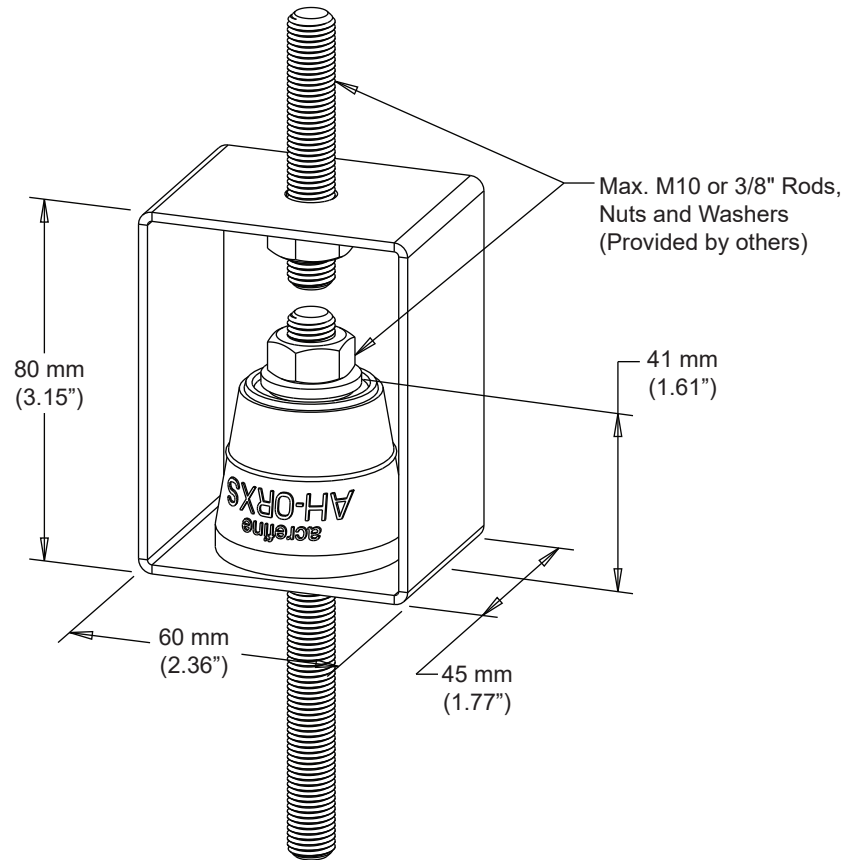


REV	DESCRIPTION	DATE	MADE BY	APP'L
1	VI curves, properties added.	15.10.2020	BK	AY



ISOLATOR PROPERTIES						
ISOLATOR TYPE	Colour Mark	Shore A Hardness	Load Capacity (kg)	Max. Deflection (mm)	Load Capacity (lb)	Max. Deflection (in)
AH-RXS-40	No Mark	40	25	7.2	55	0.28
AH-RXS-50	Blue	50	35	7.2	77	0.28
AH-RXS-60	Yellow	60	70	7.2	154	0.28

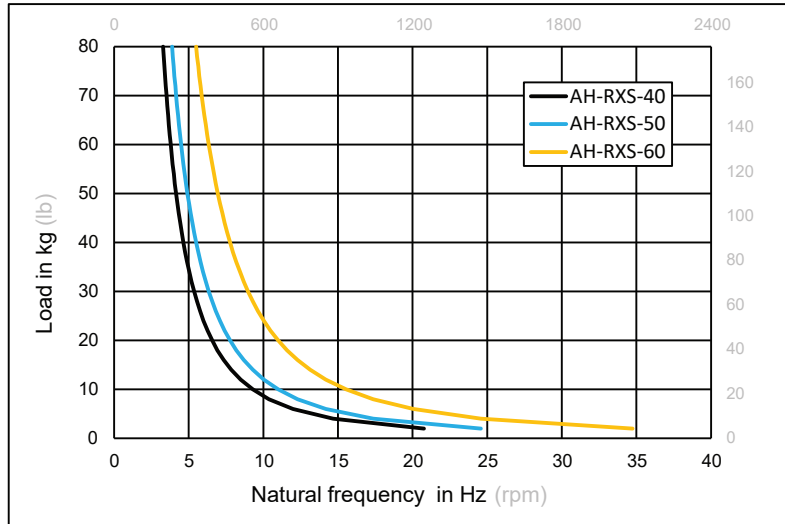
**NOTES:**

- Specified Load Capacity is the max. allowable load for a single isolator and this value must not be exceeded.
- Isolator must be installed per Installation Instruction 9150.

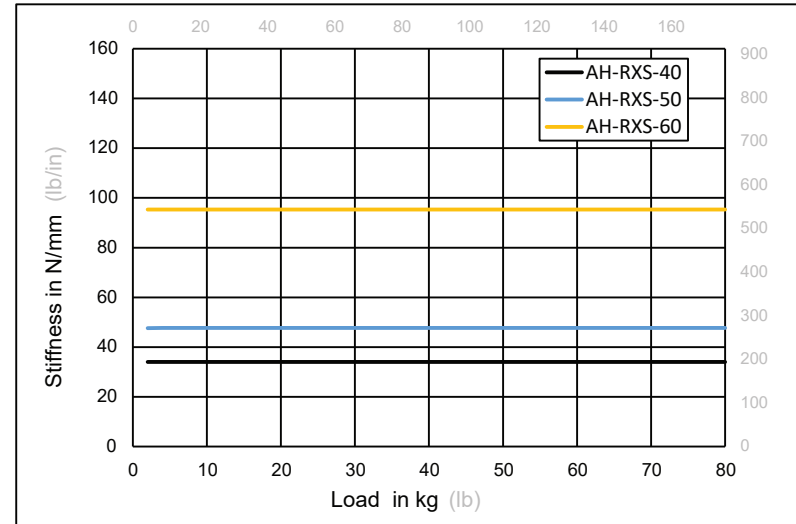
		AH-RXS Type Housed Rubber Hanger						
						DRAWING No.	8203	REV
PROJECT INFORMATION	CUSTOMER	PROJECT NAME		DRAWING BY	MMD	1		
	ENGINEER			DATE	15.10.2020			
	DATE			LOCATION			SCALE	NTS
	PROJECT No.						Page 1/2	

# Vibration Isolation and Noise Control Properties of AH-RXS Type Rubber Hanger

**NATURAL FREQUENCY CURVES**



**STIFFNESS PROPERTIES**



**Disclaimer:** The Information provided in these technical documents constitute a summary related to the product itself and not the intended application. We do recommend that you seek further advice regarding actual field application from our engineers or authorised partners. Latest version of this document is available to download from [www.acrefine.com](http://www.acrefine.com).

<b>POD</b> PERFORMANCE OUTLINE DRAWING		AH-RXS Type Housed Rubber Hanger		<b>ACREFINE</b> FIXING & SEISMIC		
PROJECT INFORMATION	CUSTOMER	PROJECT NAME		DRAWING No.	8203	REV
	ENGINEER			DRAWING BY	MMD	1
	DATE	LOCATION		DATE	15.10.2020	
	PROJECT No.			SCALE	NTS	Page 2/2